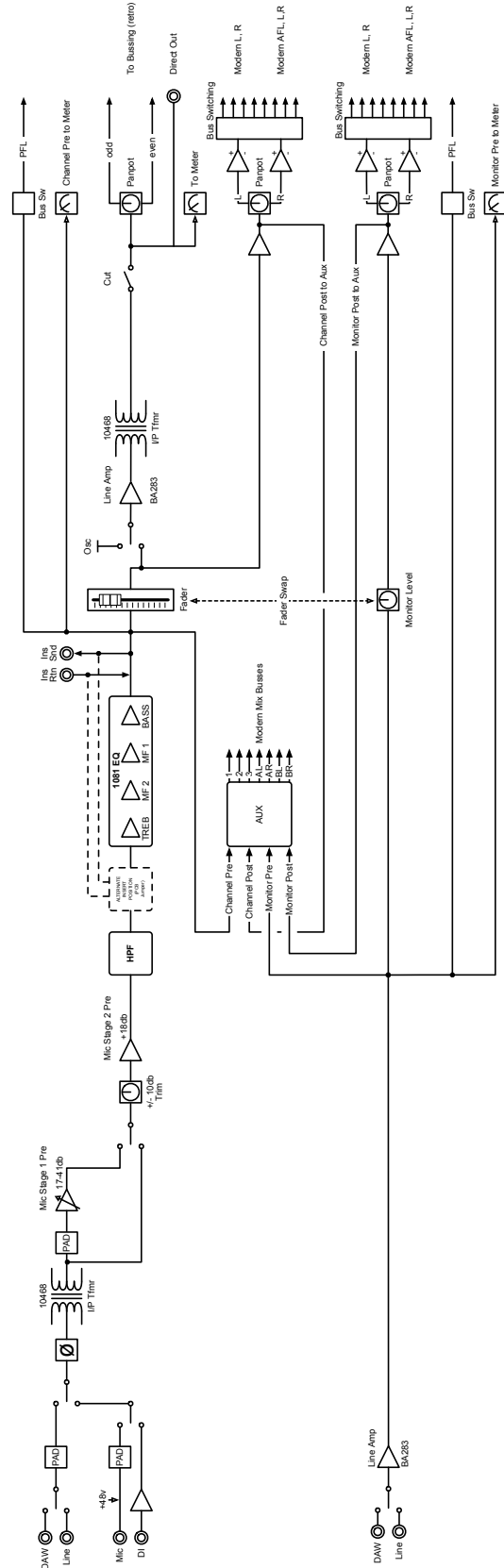


# Block Diagrams

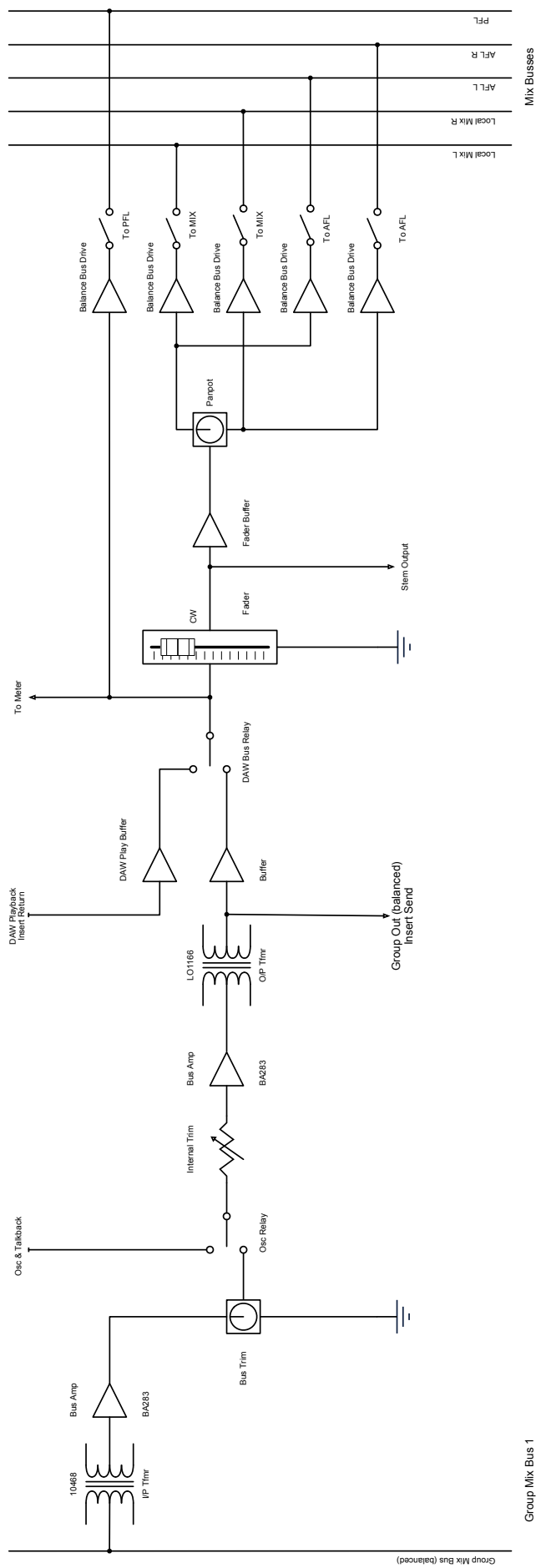
## Channel & Input Block Diagram

Title: 2087 Module Block Diagrams	
Size: A3	Number: N2087
	Revision: A
File:	



# Group Amps

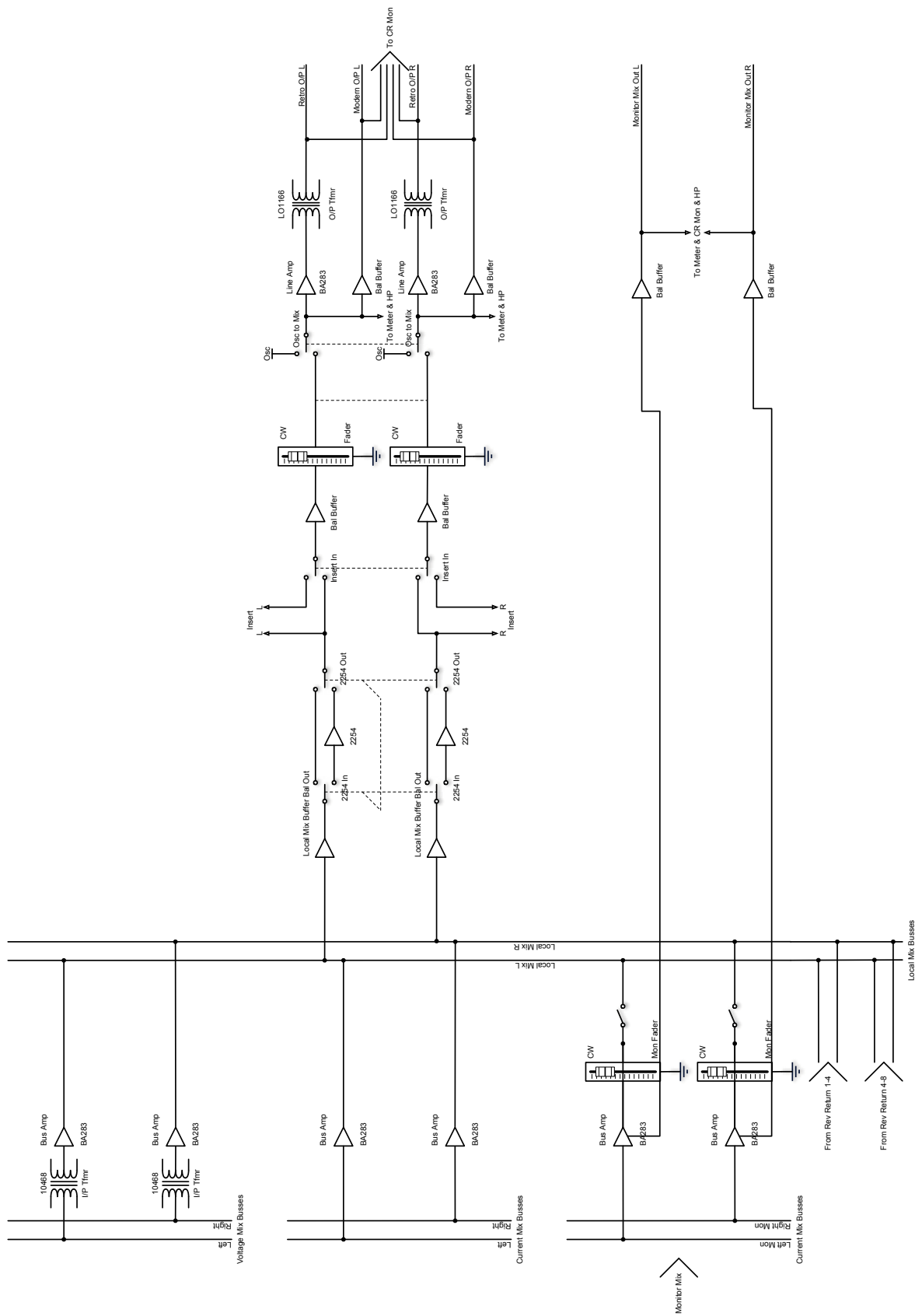
Title: Channel Module Block Diagrams		
Size: A3	Number: Group Amps	Revision: A
File:		



Group Mix Bus 1

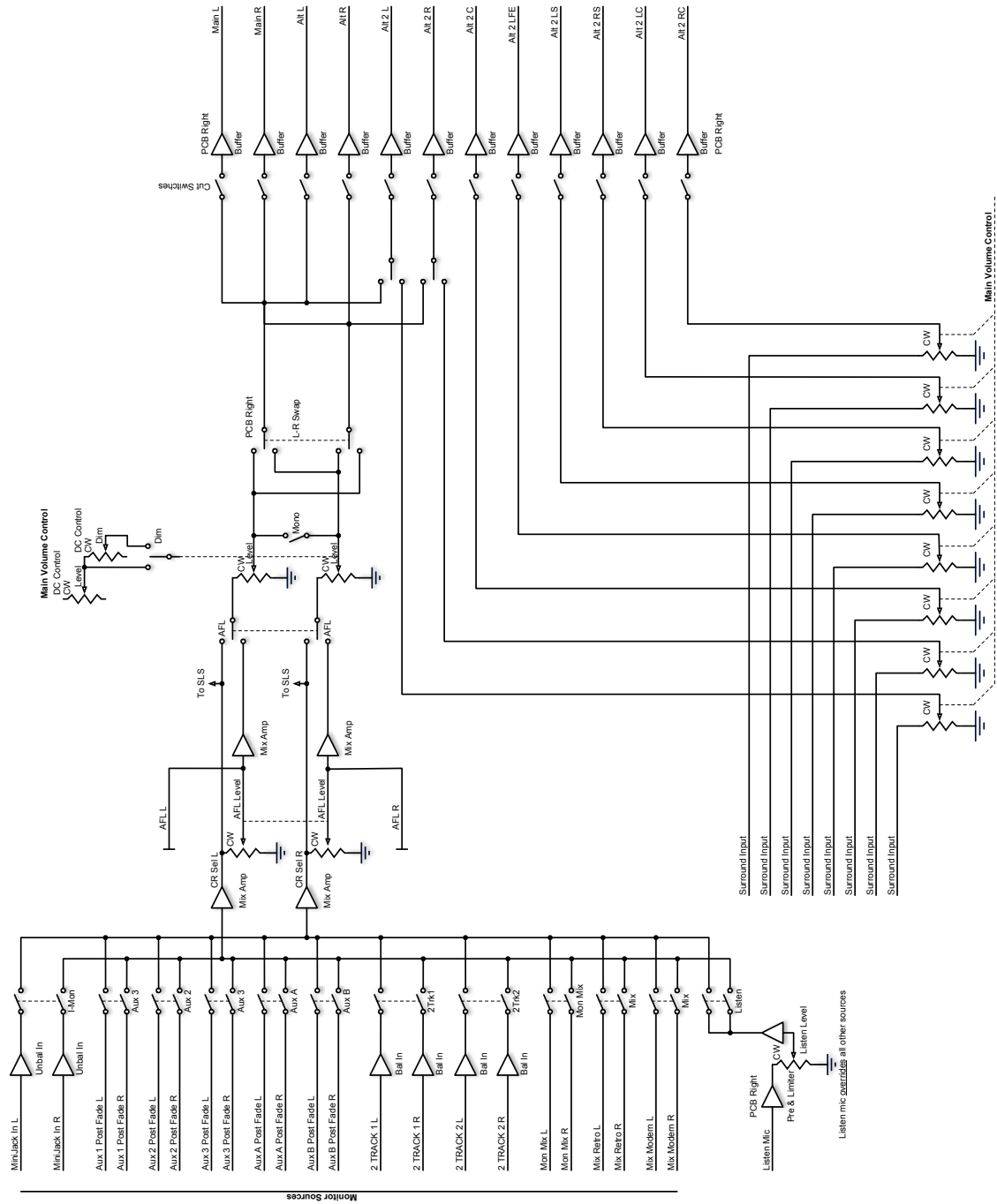
# Stereo Mix & Outputs

Title: Master Section Block Diagrams		
Size: A3	Number: Stereo	Revision: A
File:		



# CR Monitor

Title: Master Section Block Diagrams		
Size: A3	Number: CR Monitor	Revision: A
File:		

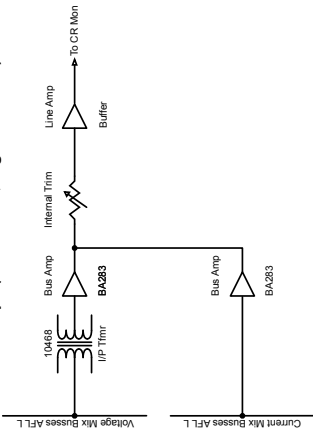




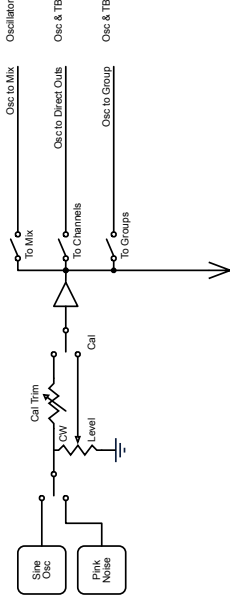
# Ancillary

Title: Channel Module Block Diagrams		
Size: A3	Number: Other Stuff	Revision: A
File:		

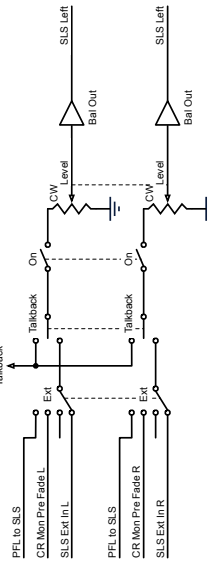
**AFL Amps (Left shown, Right Identical)**



**Oscillator**



**Studio Loudspeaker (SLS)**



**Talkback**

